

S-Sight

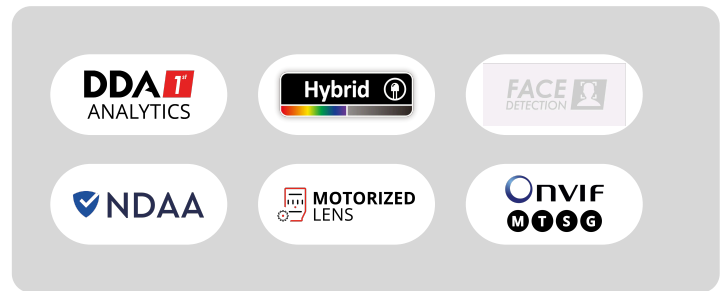
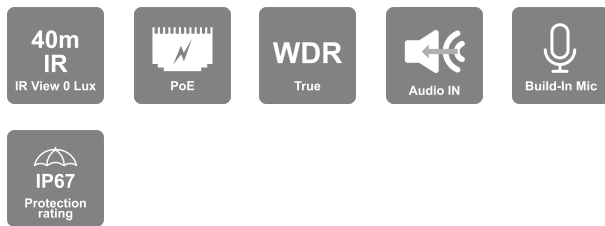
This series simplifies surveillance with high-quality images and enhanced night vision capabilities. Powered by AI (DDA™ Video Analytics) and equipped with Check Point protection for comprehensive monitoring. Choose from rainbow cameras, Motorized Varifocal options, and Anti-Vandal designs for high-security areas.



BMH-380IPSN-MVF

8MP MVF Lens Bullet Camera with Hybrid LED and DDA1 Analytics

Equipped with a 2.8-12mm motorized lens, this 8MP Bullet camera is designed for long-distance surveillance (up to 40m) in indoor and outdoor scenarios. With its hybrid capability, the white LED will enlighten the scene when humans being detected for full color image even in dark scenarios. The camera offers outstanding DDA Analytics (Detect, Distinguish, Alert), which can perform human and vehicle recognition. With various detection rules and triggers. This model complies with NDAA demands and ensures your device is cyber-protected round the clock with the integrated Check Point Quantum IoT Nano agent that provides an advanced threat prevention layer against the common attack vectors at runtime. With its outstanding performance, reliability, and affordable price, the BMH-380IPSN-MVF camera is the perfect solution for any simple IP installation.



MAIN FEATURES

- BMH-380IPSN-MVF 8MP MVF Lens Bullet Camera with Hybrid LED and DDA1 Analytics
- Sensor: 1/2.8" CMOS (16:9)
- Resolution: 3840×2160 20FPS (8MP)
- Lens: 2.8-12mm MVF with Auto Focus (96°-33°) ICR + 24/7 Full-Color Day Mode
- Illumination: 40m (2 High-Power IR LED) 30m (1 High-Power White LED)
- Compression: H.265+ / H.264+ / H.265 / H.264 / MJPEG
- Quantum IoT Nano agent by Check Point™
- General Analytics: Item Monitoring, Camera Tampering
- Human & Vehicle Recognition: SMD, Sterile Area, Line Crossing
- True WDR (120dB), BLC, HLC, ROI
- SD Card: Event/Schedule Record (Up to 256GB)
- Built-in Microphone + Audio input
- ONVIF: Profile M/T/S/G
- Water Proof: IP67
- Weight: ~710g
- Power: DC12V/~800mA / PoE/~11.5W



<https://provision-isr.com>

SPECIFICATIONS

| 3rd Party Cyber Protection | |
|----------------------------|--|
| General | Quantum IoT Nano agent by Check Point™ |
| Protection Methods | Shell injection protection, File Monitor, Import-Table Protection, Dynamic-Memory Protection |
| NDAA Compliant | |
| NDAA Compliant | Yes |
| Video | |
| Image Sensor | 1/2.8" CMOS (16:9) |
| Effective Pixels | 3840x2160 |
| Electronic Shutter | 1/3s ~ 1/100000s |
| Day & Night | ICR + 24/7 Full-Color Day Mode |
| Min. Illumination | Day: 0.02lux / Night: 0.02lux (@F1.6, AGC on) 0lux with IR on |
| Audio | |
| Audio compression | G.711A/G.711U |
| Communication | One-Way Audio |
| Image | |
| Image Settings | AWB, AGC Adjustable, Exposure Mode (Auto) Sharpness, Saturation, Brightness & Contrast Adjustable |
| Image Enhancement | True WDR (120dB), BLC, HLC, ROI |
| Noise Reduction | 3D-DNR |
| Image Orientation | Mirror/Flip, Corridor Mode |
| Privacy Zone | Yes |
| Events and Analytics | |
| Analytics | General Analytics: Item Monitoring, Camera Tampering Human & Vehicle Recognition: SMD, Sterile Area, Line Crossing |
| Motion Detection | Yes |
| Compression | |

| | |
|--------------------------|---|
| Resolution | 8MP (3840x2160) / 6MP (3200x1800) / 4MP (2688x1520) / 2MP (1920x1080) / 1MP (1280x720) / D1 (704x576) / VGA (640x480) / 480x240 / CIF (352x288) |
| Frame Rate | 1-20FPS |
| Video Compression | H.265+ / H.264+ / H.265 / H.264 / MJPEG** |
| Multi-Stream | Master Stream: 8MP (3840x2160) (1~20fps) / 6MP (3200x1800) / 4MP (2688x1520) / 2MP (1~30fps) Substream: 1MP/QVGA/360p/D1/CIF (1~30fps) Third Stream: 1MP/360p/D1/CIF (1~30fps) |
| Bit Rate | 64Kbps ~ 8Mbps@H.265 / 512Kbps ~ 12Mbps@H.264 |
| Encode Mode | VBR/CBR |
| Image Quality | Five levels under VBR; Free adjustment under CBR |

| Lens | |
|-----------------------------|--|
| Lens (Field of View) | 2.8-12mm MVF with Auto Focus (96°-33°) |
| Iris | DC Iris |
| Lens Mount | Ø14 Mount |
| Detect | 2.8~12mm(W): 88m(288ft) - 2.8~12mm(T): 277m(908ft) |
| Recognize | 2.8~12mm(W): 17m(56ft) - 2.8~12mm(T): 55m(180ft) |
| Identify | 2.8~12mm(W): 8m(27ft) - 2.8~12mm(T): 28m(91ft) |

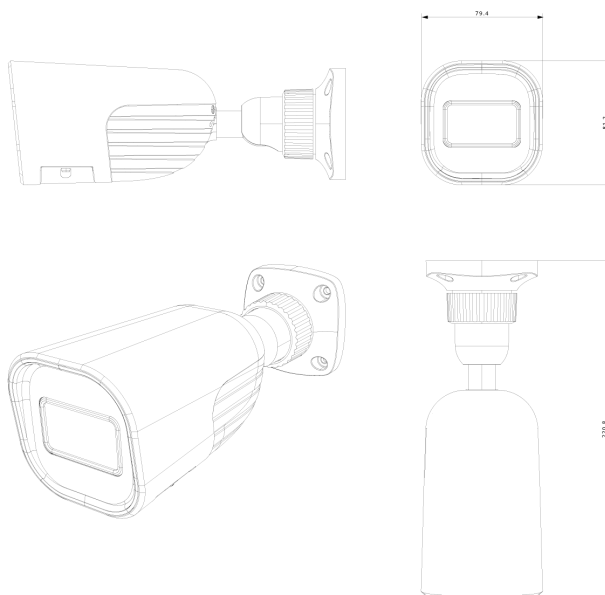
| Network | |
|--------------------------|--|
| User Access | Supports simultaneous monitoring of up to 10 users with multi-stream real-time transmission |
| Network Protocol | IPv4, IPv6, TCP, UDP, DHCP, NTP, DDNS, SNMP, 802.1X, RTSP, RTMP, UPnP, Email, FTP, FTPS, HTTP POST, HTTPS, QoS, Auto Report, P2P |
| Remote Monitoring | IE Browsing, VMS Software, Provision Cam2 Mobile App |
| Ethernet | 100Mbps |
| ONVIF | Profile M/T/S/G |

| Connectivity | |
|---------------------------|-----------------------------------|
| Network | RJ45 (+PoE) |
| Audio Connectivity | Built-in Microphone + Audio input |

| | |
|----------------------------|---|
| Alarm | No |
| SD Card | Event/Schedule based Main/Substream recording (Up to 256GB) |
| Wiegand | N/A |
| Power | DC Socket |
| Analog Video Output | No |

| Housing | |
|--------------------------|--|
| PoE | Yes |
| Illumination | 40m (2 High-Power IR LED) 30m (1 High-Power White LED) |
| Power Supply | DC12V/~800mA / PoE/~11.5W |
| Protection Rate | Water Proof: IP67 |
| Work Environment | -30°C~60°C, 10%~90% Humidity |
| Bracket | 3-Axis Bracket |
| Dimensions | 220.8x79.4x81.2mm |
| Weight (gross) | ~710g |
| Hard Reset Button | Yes |

DIMENSIONS



ACCESSORIES

