

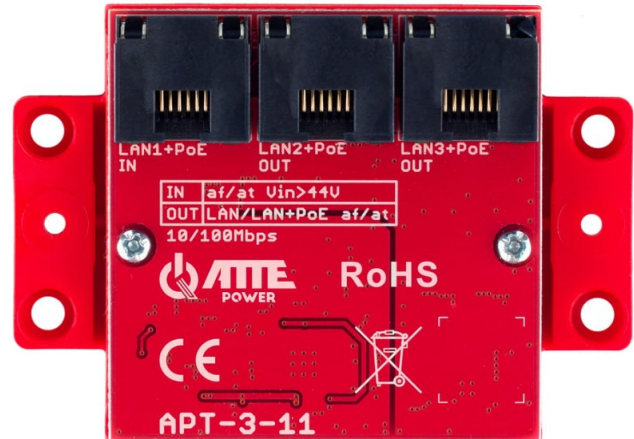
3-port PoE Switch 10/100Mbps – LAN + PoE extender 1xPoE IN 802.3at/af + 2xPoE OUT 802.3at/af

APT-3-11 is an unmanaged PoE network switch working as an extender (repeater) of the LAN network and PoE power supply. Most often used as an "active splitter" in situations when we need to run several network devices (e.g. several IP cameras) on one UTP cable or when an additional network branch is necessary.

It is designed to work with any network devices, IP cameras and other PoE 802.3at/af. APT (Atte Power Tree) series devices provide compatibility with IEEE 802.3at/af standards both as PoE power receivers and on all output ports. When a device is connected to port 2 or 3, the receiver is identified and if it is a PoE-powered device, power is turned on at the port.

The APT (Atte Power Tree) product series allows you to connect system elements in a tree topology. APT devices can be powered directly from PoE. Power transmitted over a single UTP cable allows you to power several IP cameras.

The device has a very small size, which allows for easy installation in small spaces.



FEATURES

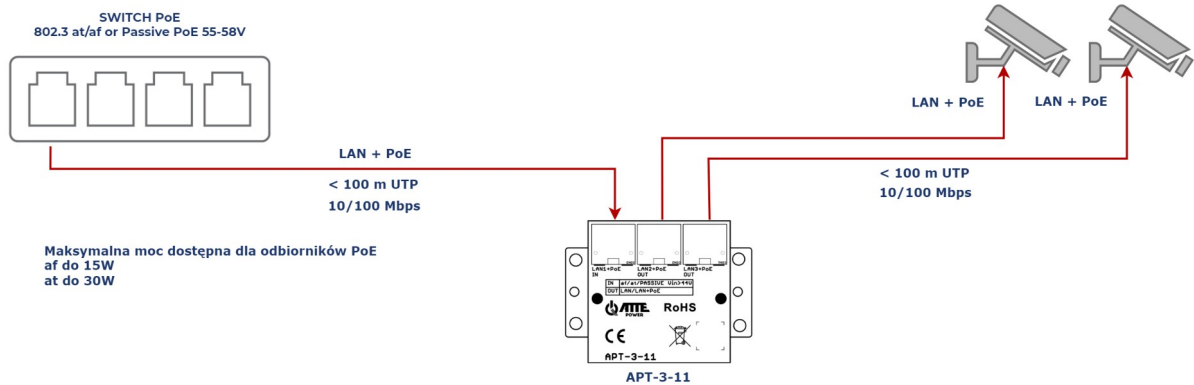
- miniature design allows mounting in the camera base
- powered from another 802.3at, 802.3af or passive PoE switch (PoE IN port)
- can power up to 2 PoE 802.3at/af receivers
- up to 30W of total power
- possibility of cascading power (one xPoE supplies the next)
- easy and quick commissioning without configuring parameters
- very low power consumption (< 0.3 W)

TECHNICAL SPECIFICATION

LAN Ports	3-port RJ45 10/100Mbps (auto MDI-MDIX autonegotiation)
PoE IN	LAN 1 PoE 802.3af/at, PoE Passive
PoE OUT	LAN 2 ... LAN 3 PoE 802.3af/at
PoE standard selection (af/at)	LAN1 (PoE IN): automatic, default 802.3at if supported by power switch
Supply voltage	LAN1: 44 ... 58 VDC (Vin)
Output voltage	Vout = Vin
Power consumption	0,3 W
Ports Protection	LAN 1 ... LAN 3 Surge protection LAN 2 ... LAN 3 Overload protection 0,7A

Indication	LAN 1 (yellow) - Power LAN 2 ... LAN 3 (yellow) - PoE power OUT LAN 1 ... LAN 3 (green) - link and data transmission
Housing Construction	Uniwersal mounting base
Operating Temperature	-25 ... +65°C
Ingress Protection Rating	IP20
Dimensions	51(73) x 51 x 21 mm
Weight	0,026 kg

Example of application of APT-3-11 as LAN+PoE extender for 2 PoE IP cameras



Example of application of APT-3-11 as LAN+PoE extender for 4 PoE IP cameras

