

ABOX-L2

Outdoor enclosure , IP56, 240x190x90mm, cable gland 10xM16 1xM20

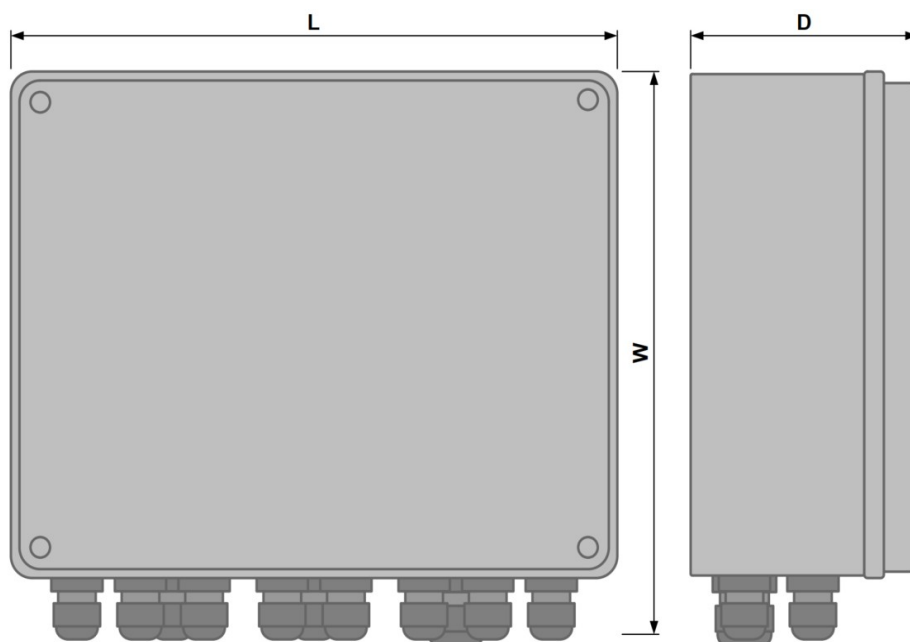
INSTRUCTION MANUAL

Outdoor enclosures of the ABOX series are a convenient solution to the problem of protecting devices and cable connections installed in outdoor conditions. High-quality plastic ensures resistance to UV radiation and other adverse weather conditions.

The models available in the offer are equipped with a mounting plate with system holes in a 10.8 mm pitch. It is compatible with the spacing of the mounting holes of the built-in modules. The system solution allows for vertical or horizontal mounting of selected devices in any hole in the mounting plate.

The most important features:

- possibility to keep spare cables inside the housing
- cable entry through glands mounted in the housing
- 4 brackets included for mounting the housing without violating the IP56 protection
- optional ADD-PMAL adapter allows easy mounting of the enclosure on poles



General view of the device

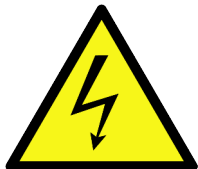
Technical Specification

Housing Construction	Halogen-free material, resistant to UV radiation Gray color (RAL7035) 10 x M16, 1 x M20 glands fitted
Assembly	Wall mounting, mounting brackets
Ingress Protection Rating	IP56
Operating Temperature	-25 ... +60°C
Dimensions	240x 190 x 90 mm
Weight	0,81 kg

Safety Precautions

- The installation and wiring must be performed by a competent engineer. For permanently connected equipment, a readily accessible disconnect device must be incorporated in the fixed wiring. The device must be connected to the mains supply 230 VAC 50 Hz via a specified fused connection outlet.
- Despite the fact that the enclosure of the device has a high degree of protection, it is recommended that the device should be mounted in places protected from direct influence of atmospheric factors, in particular against rain and direct sunlight.
- Since the power supply does not have a switch to isolate the mains supply, the installer is responsible for notifying the user of the means of isolating the mains supply from the device.
- When replacing fuses, use original or compatible types. The exact parameters of the fuses can be found on the inside of the device cover.

WARNING



Before installation and during maintenance make sure that the mains voltage 230VAC is disconnected

Installation

- Mount the device in the selected location and connect the connecting wires.
- After checking system operation, close the enclosure.

WEEE MARKING



This symbol on the product or on its packaging indicates that the product must not be disposed of with normal household waste. Instead such equipment must be disposed of by arranging to return it to a designated collection point for the recycling of waste electrical and electronic equipment.

