

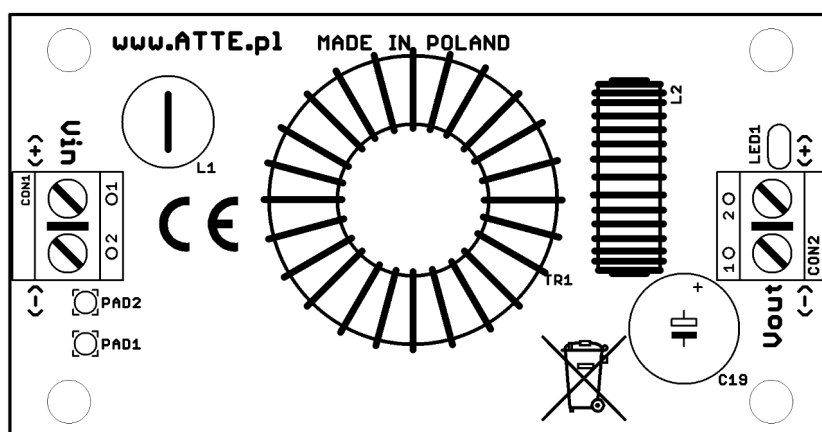
# AVIC-50-120-OF

## DC/DC converter isolated

### 12V 50W

## INSTRUCTION MANUAL

The AVIC-50-120-OF type module is a high-performance isolated DC / DC converter designed to supply DVR recorders, network attached drives and other devices requiring a stable 12V power supply operating with a buffer power supply whose output voltage varies between 10 ... 14V depending on the operating mode (battery backup mode / mains mode). The system ensures safe operation of powered monitoring devices regardless of the buffer system's battery level.



General view of the device

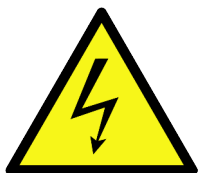
## Technical Specification

Output Voltage	12 VDC +/-2%
Power Supply Voltage	10 ... 15 VDC
Output Current	4 A
Output Power	50 W
Idle Current	14 mA
Protection	Output short circuit protection at 6A
Isolation	2 kV
Housing Construction	Open frame module
Assembly	Snap-on spacers, mounting holes in 10.8 mm pitch
Operating Temperature	-25 ... +50°C
Dimensions	39 x 76 x 35 mm

## Safety Precautions

- The installation and wiring must be performed by a competent engineer. For permanently connected equipment, a readily accessible disconnect device must be incorporated in the fixed wiring. The device must be connected to the mains supply 230 VAC 50 Hz via a specified fused connection outlet.
- Despite the fact that the enclosure of the device has a high degree of protection, it is recommended that the device should be mounted in places protected from direct influence of atmospheric factors, in particular against rain and direct sunlight.
- Since the power supply does not have a switch to isolate the mains supply, the installer is responsible for notifying the user of the means of isolating the mains supply from the device.
- When replacing fuses, use original or compatible types. The exact parameters of the fuses can be found on the inside of the device cover.

## WARNING



**Before installation and during maintenance make sure that the mains voltage 230VAC is disconnected**

## Installation

- Mount the device and connect the power supply and load wiring.

## Operation Indication

- The presence of the output voltage is indicated by a red LED.

## WEEE MARKING



**This symbol on the product or on its packaging indicates that the product must not be disposed of with normal household waste. Instead such equipment must be disposed of by arranging to return it to a designated collection point for the recycling of waste electrical and electronic equipment.**

