

SHS-165F

Flush Mount with Cover

FC |  | CE | ENEC

Key Features

- Material : Poly Carbonate, Aluminium
- Dimensions : 98.2(W)x52.7(D)x214.3(H)mm(3.87x2.07x8.44")
- Weight: 185g(0.41lb)

SHS-165F

Flush Mount with Cover



Specifications

Environmental

| | |
|----------------------------------|---------------------------------------|
| Operating Temperature / Humidity | -30°C~+55°C(-22°F~+131°F) / 0~100% RH |
| Storage Temperature / Humidity | -30°C~+55°C(-22°F~+131°F) / 0~100% RH |

Mechanical

| | |
|-----------------------------|---|
| Color | White, Dark gray |
| Material | Poly Carbonate, Aluminium |
| Product dimensions / weight | 98.2(W)x52.7(D)x214.3(H)mm(3.87x2.07x8.44"), 185g(0.41lb) |
| Supported products | TID-600R |

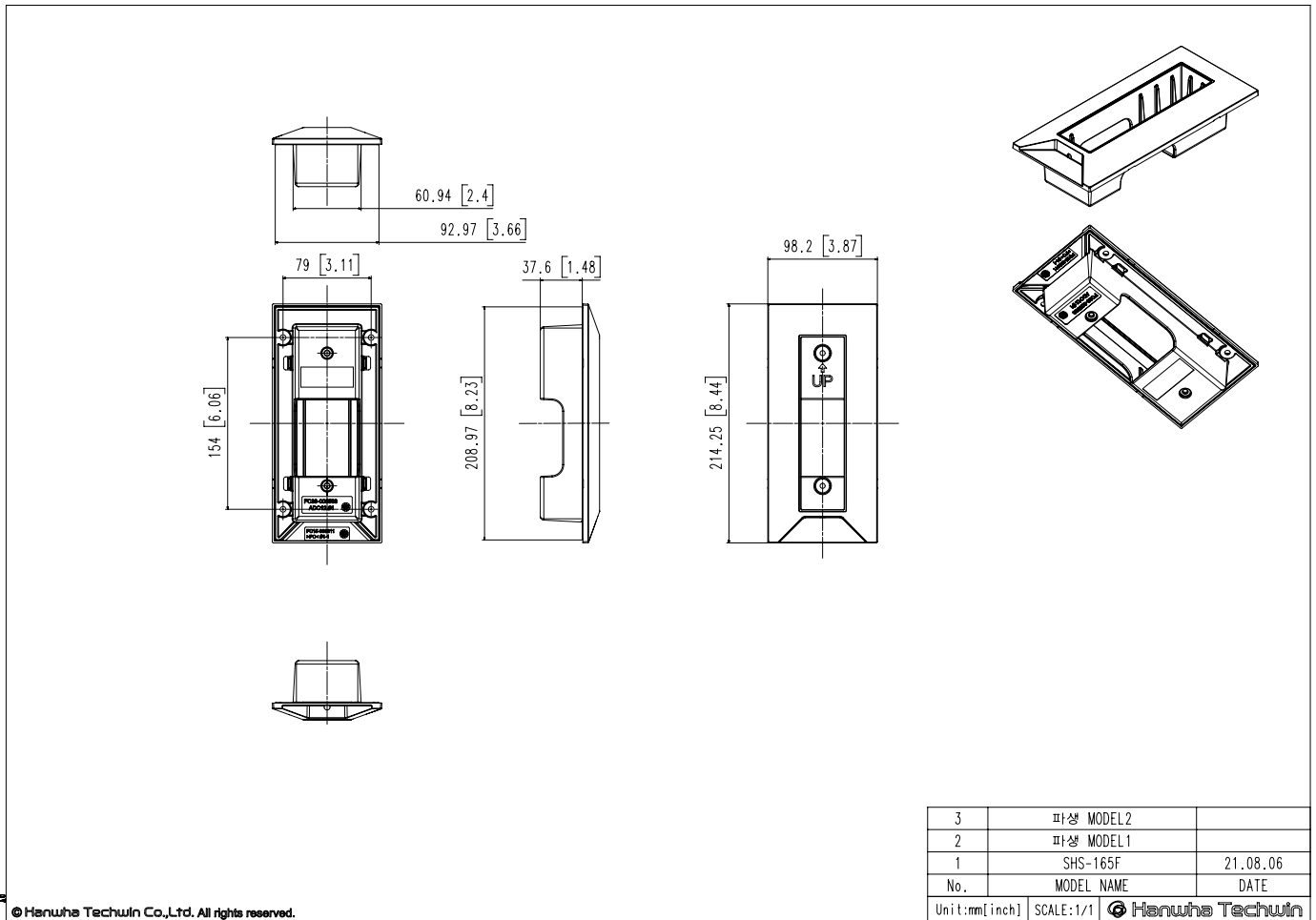
SHS-165F

Flush Mount with Cover



Unit: mm [inch]

CAD



© Hanwha Techwin Co.,Ltd. All rights reserved.