

HG3Z4512FCS

3X 4.5mm - 12.5mm F1.2
for 1/2 type Cameras, Vari-focal Auto Iris DC Drive
CS-Mount

with Focus, w/o Amplifier

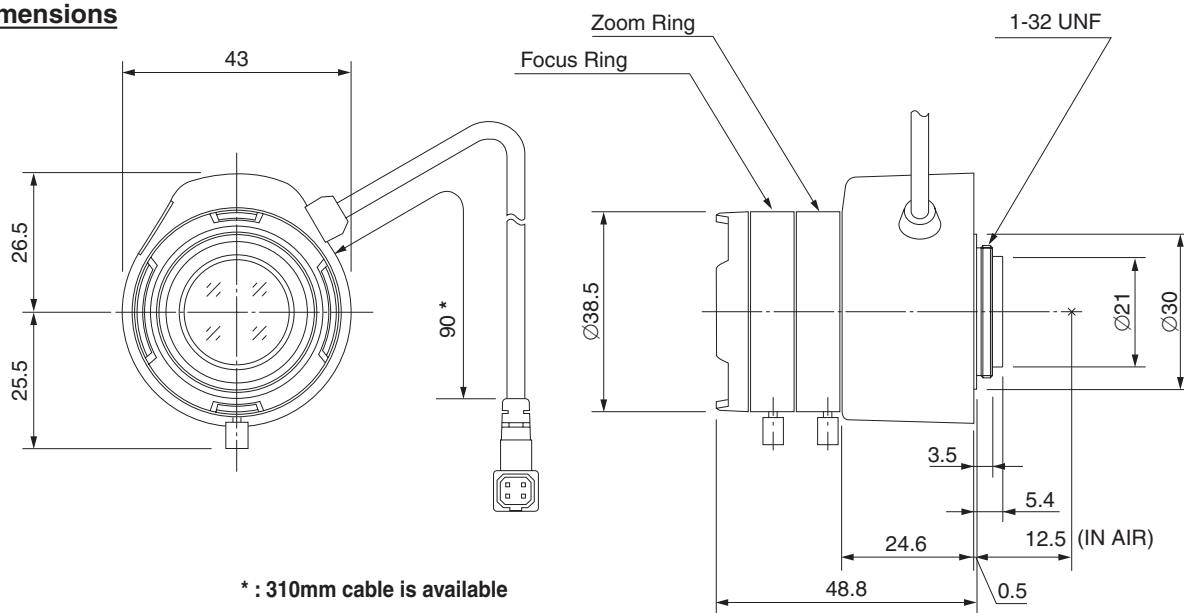
Model No.	HG3Z4512FCS		Effective	Front	Ø19.0mm			
Focal Length	4.5mm - 12.5mm		Lens Aperture	Rear	Ø10.3mm			
Max. Aperture Ratio	1:1.2		Back Focal	Tele	18.3mm			
Max. Image Format	6.4mm x 4.8mm(Ø8mm)		Length	Wide	9.9mm			
Operation Range	Iris	F1.2 - F360		Flange Back Length	12.5mm			
	Focus	0.3m - Inf.		Mount	CS-Mount			
	Zoom	4.5mm - 12.5mm		Filter Size	—			
Control	Iris	DC Auto Iris		Dimensions	Ø38.5mm x 48mm x 48.8mm			
	Focus	Manual		Weight	70g			
	Zoom	Manual						
Object Dimension at M.O.D.	4.5mm	51.8cm x 34.9cm						
	12.5mm	16.1cm x 12cm						
Angle of View	D	1/2 type	103.0° - 37.4°	1/3 type	76.2° - 28.2°	1/4 type	56.5° - 21.2°	
	H		81.6° - 30.0°				60.4° - 22.6°	44.9° - 10.6°
	V		60.4° - 22.6°				45.0° - 17.0°	60.4° - 12.7°
Coil	Drive	190Ω						
	Control	855Ω						
Operating Temperature	-20°C - +50°C							

1/2 type

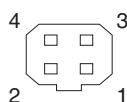
M.O.D : Minimum Object Distance

CS

Dimensions



Wiring Diagram



Pin No.

1	BROWN	Control (-)
2	RED	Control (+)
3	YELLOW	Drive (+)
4	ORANGE	Drive (-)