



DS-1340HZ

Indoor and Outdoor Housing

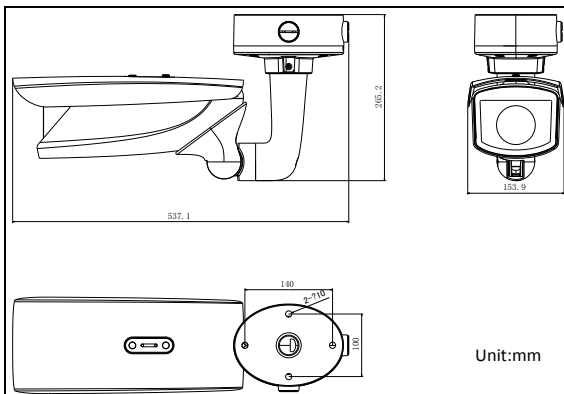
Key Features:

- Self-contained three-axis adjustment bracket, support wall mounting, pole mounting and pendent mounting.
- Self-contained Ethernet port, power and data integration cable
- Built-in automatic temperature control system to ensure stable running.
- Up to IP66 protection level, suitable for indoor and outdoor environment
- With junction Box, convenient for wiring.
- **Impact Protection is up to IK10**

Order Model:

DS-1340HZ

Dimension:



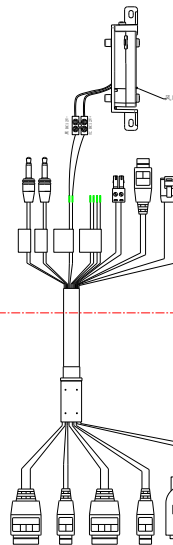
Installation:

Wall Mount, Pendent Mount, Pole Mount

Specification:

Model	DD-1340HZ
Parameter	Indoor and Outdoor Housing
Power Supply	12V/2A
Protection Level	IP66
Power Consumption	Max.5W
Impact Protection	IK10
Material	Aluminum alloy
Dimension (mm)	537.1 × 153.9 × 255.2mm
Weight	5300g

Wiring:



Internal wiring

External Wiring