

## DS-1701ZJ

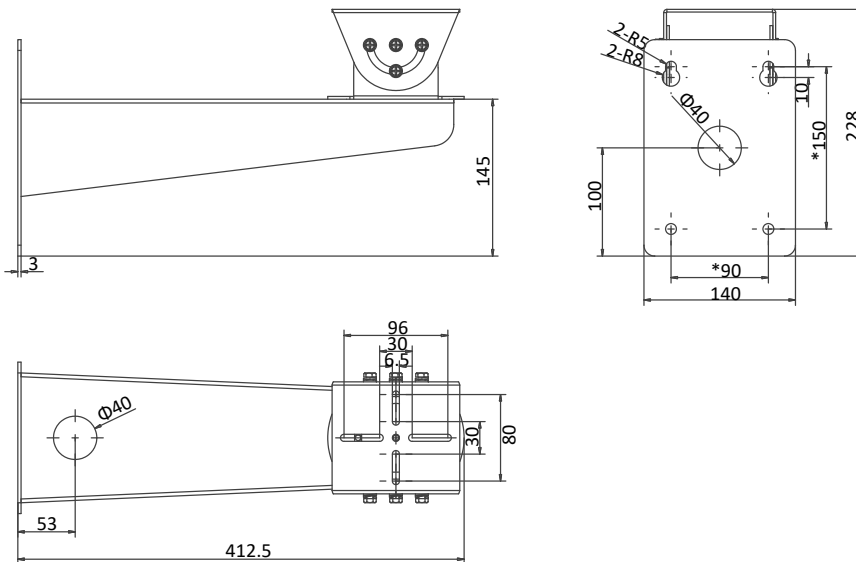
Anti-Corrosion Wall Mounting Bracket  
for Box Camera



### Features

- Stainless steel material
- Anti-corrosion design
- Design of cap is for convenient wiring

### Dimension



### Available Model

DS-1701ZJ

### Parameters

Model	DS-1701ZJ
Parameters	Anti-Corrosion Wall Mounting Bracket for Box Camera
Appearance	Unpainted Stainless Steel
Material	Stainless Steel
Dimension	228x140x412.5mm
Weight	3800g

### Notes

- The bracket should be installed on flat wall.
- The wall must be capable of supporting over 3 times as much as the total weight of the camera and the mount.
- The maximum load capacity of the bracket is 20KG.