

# ADE-1F2 - for non-armoured cable

## Technical specification



### Suitable for the following cable types:

- Non-armoured cable
- Marine shipboard cable; Type P cable
- Tray cable

Provides 25% of cable clamping. As per IEC60079 § A.2.3.2 for group II or III cable glands, "without a clamping device, additional clamping of the cable is needed to ensure that pulling & twisting is not transmitted to the terminations". We recommend using the certified ADE clamping module (page 32).

### Operating temperature:

-60°C to +140°C



### Material:

Nickel-plated brass for superior corrosion resistance. 316 stainless steel, bronze and aluminum options available. It is recommended that a suitable lubricant is used on all threads of stainless steel and aluminum versions.

### Ingress protection (IP):

IP66 / IP68 according to the method of attachment and the condition of the equipment area, see page 13.

### Certifications and compliances:

#### ATEX certificate no: INERIS12ATEX0032X

Zones 1 and 2, Groups IIA, IIB and IIC  
Zones 21 and 22 Groups IIIA, IIIB and IIIC

II2GD / Ex db IIC / Ex eb IIC / Ex tb IIIC

II3G Ex nRc IIC

#### IECEX certificate no: IECEX INE 12.0025X

Zones 1 and 2, Groups IIA, IIB and IIC  
Zones 21 and 22, Groups IIIA, IIIB and IIC

Ex db IIC / Ex eb IIC / Ex nRc IIC / Ex tb IIIC

### Other certificates:

**CEPEL** 05.0558X

**CCoE** P360379-1

**KOSHA** 2015.-BO-0249 to 0256

**NANIO** TC-RU C-FR.ГБ05.B.00858

**NEPSI** GYJ13.1082X

**SABS** MS/15-0314X

### Shipping application:

**ABS** 14-HS1274083-PDA

**BV** 40910/A0 BV

**DNV** TAE000010X

**Lloyds** 11/00072

**DTS-01:1991** compliant

### UL certification:



**3DJN E310130 ; Class I, Zone 1\*, AEx e II**

ADE sizes 3 to 8, 1/2" to 1 1/4" NPT or ISO 20 to 40 with TC-ER-HL non-armoured cable up to 1" diameter.



**3DJN E310130 Class I Zone 2\*, AEx e II, Ex e II**

ADE sizes 3 to 17, NPT 1/2" to 4" or ISO 20 to 110 with non-armoured cable types ITC, MV, PLTC, TC-ER, TC-ER-HL, TC.



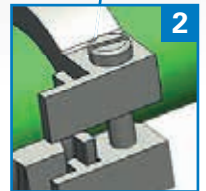
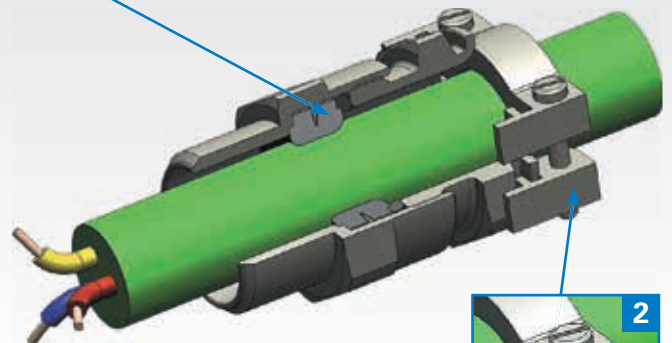
**3LRC E314047 Class I Zone 2\*, AEx e II, Ex e II**

ADE sizes 3 to 17, NPT 1/2" to 4" or ISO 20 to 110 with non-armoured marine cable.

\*Can be used in Div.2 provided that the enclosure contains no components that produce arcs or sparks.



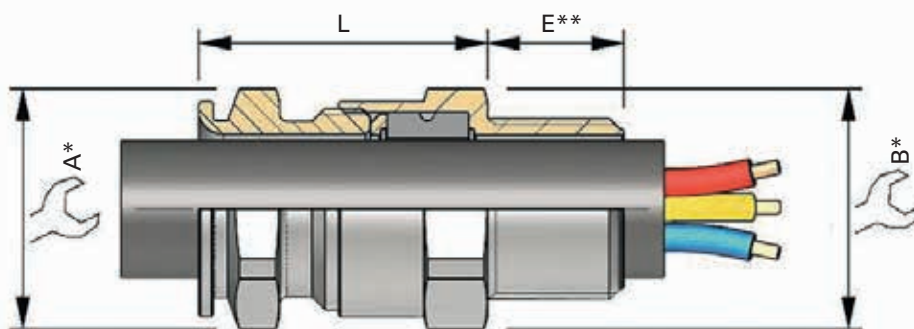
## Features and benefits



- 1:** Specifically formulated elastomer for IP sealing on outer sheath of cable.
- 2:** Additional external cable clamping for strain relief (optional).

# ADE-1F2 - order codes and dimensions

## Dimensions



\* For 'across corners' dimensions, multiply 'across flats' dimensions by 1.1

\*\* For 'E' see thread dimension page 89

SERIES	THREAD SIZE	CABLE SEALING RANGE	MATERIAL	OPTION
ADE1	M25	3	NPN	

0 = XS  
1 = S  
2 = M  
3 = L

SELECT

SELECT

SELECT

### CODES

K1	Accessories kit 1
K2	Accessories kit 2
K3	Accessories kit 3
BLANK	No option

### KIT OPTIONS

K1	Kit 1 contents: • Locknut • Green composite washer
K2	Kit 2 contents: • Locknut • Green composite washer • Earth tag • Shroud
K3	Kit 3 contents: • Locknut • Green composite washer • Earth tag • Serrated washer

NPN	Nickel-plated brass
SSN	Stainless steel
BZN	Bronze
ALN	Aluminum

### SELECTION TABLE

SERIES	THREAD SIZE	THREAD SIZE CODE	THREAD SIZE	THREAD SIZE CODE	CABLE SEALING RANGE	DIMENSIONS			ADE GLAND SIZE	CATALOG NUMBER ISO	CATALOG NUMBER NPT	
						CABLE SEALING RANGE ISO/(NPT)	A	B				
		ISO	NPT			OUTER SHEATH MIN - MAX						
ADE1	12*	M12	1/4**	N025	3	4.5 - 8.0	17	17	25.0	4	ADE1M123NPN	ADE1N0253NPN
ADE1	16*	M16	3/8**	N038	2	4.5 - 8.5	17	19	25.0	4	ADE1M162NPN	ADE1N0382NPN
ADE1	16*	M16	3/8**	N038	3	7.0 - 12.0	19	19	27.5	5	ADE1M163NPN	ADE1N0383NPN
ADE1	20	M20	1/2"	N050	0	2.8 - 5.5	15	24	24.0	3	ADE1M200NPN	ADE1N0500NPN
ADE1	20	M20	1/2"	N050	1	4.5 - 8.5	17	24	25.0	4	ADE1M201NPN	ADE1N0501NPN
ADE1	20	M20	1/2"	N050	2	7.0 - 12.0	19	24	27.5	5	ADE1M202NPN	ADE1N0502NPN
ADE1	20	M20	1/2"	N050	3	10.0 - 16.0 (15.5)	24	24	32.0	6	ADE1M203NPN	ADE1N0503NPN
ADE1	25	M25	3/4"	N075	1	7.0 - 12.0	19	30	27.5	5	ADE1M251NPN	ADE1N0751NPN
ADE1	25	M25	3/4"	N075	2	10.0 - 16.0	24	30	32.0	6	ADE1M252NPN	ADE1N0752NPN
ADE1	25	M25	3/4"	N075	3	13.5 - 20.5	30	30	36.5	7	ADE1M253NPN	ADE1N0753NPN
ADE1	32	M32	1"	N100	3	18.0 - 27.5 (26.0)	41	41	46.0	8	ADE1M323NPN	ADE1N1003NPN
ADE1	40	M40	1 1/4"	N125	2	18.0 - 27.5 (26.0)	48	48	50.0	8	ADE1M402NPN	ADE1N1252NPN
ADE1	40	M40	1 1/4"	N125	3	23.0 - 34.0	48	48	50.0	9	ADE1M403NPN	ADE1N1253NPN
ADE1	50	M50	1 1/2"	N150	1	29.0 - 41.0	55	55	52.0	10	ADE1M501NPN	ADE1N1501NPN
ADE1	50	M50	2"	N200	2	35.0 - 45.0 (48.0)	64	64	56.5	11	ADE1M502NPN	ADE1N2002NPN
ADE1	63	M63	2"	N200	3	42.0 - 56.0 (53.0)	72	72	60.0	12	ADE1M633NPN	ADE1N2003NPN
ADE1	75	M75	2 1/2"	N250	3	50.0 - 65.0 (62.5)	85	85	67.5	13	ADE1M753NPN	ADE1N2503NPN
ADE1	90	M90	3"	N300	2	58.0 - 74.0	95	95	69.0	14	ADE1M902NPN	ADE1N3002NPN
ADE1	90	M90	3"	N300	3	66.0 - 83.0 (78.0)	110	110	80.0	15	ADE1M903NPN	ADE1N3003NPN
ADE1	110	M110	3 1/2"	N350	2	75.0 - 93.0 (92.0)	120	120	80.0	16	ADE1M1102NPN	ADE1N3502NPN
ADE1	110	M110	4"	N400	3	85.0 - 104.0	135	135	90.0	17	ADE1M1103NPN	ADE1N4003NPN

\* Not UL certified. All dimensions in mm. Above catalog numbers are for nickel-plated brass; refer to order code diagram for other options.

For Group I certification, see page 80.