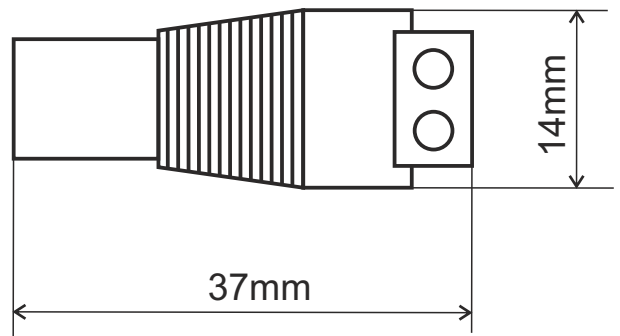
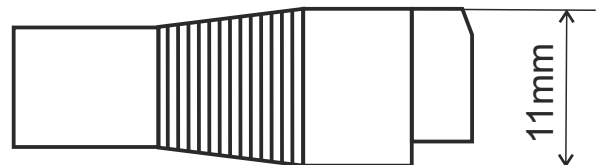


CODE: **ML 120** v1.0/III  
 TYPE: **Redukcja CABLE-OUTLET DC 5.5/2.1/N**

EN



**DESCRIPTION**

Reduction cable-outlet DC 5,5/2,1/N- enables easy connection of the receivers that end with a power wire with a plug of DC5,5/2,1 type e.g. PSA, PSD, PSC.

**SPECIFICATION**

<b>Operation voltage:</b>	30V DC max.
<b>Maximum current:</b>	2A
<b>Plug:</b>	DC 5,5/2,1, male
<b>Cable connector:</b>	$\Phi 0,41 \pm 1,63$ (AWG 26-14)
<b>Notes:</b>	one-piece connection block

**ATTENTION**

Depending on receiver, requirements of polarization and power connector are different.  
**Remember to check compatibility of polarity of power connector with requirements of receiver.**