

# XVR302-Q Series



## Key Features

- Support TVI, AHD, CVI, CVBS, IP cameras with adaptive access
- Support audio over coaxial cable
- 8/16-channel BNC input
- Up to 4K resolution for recording
- Support 1-ch HDMI output, 1-ch VGA output at up to 1920\*1080
- Long transmission distance over coaxial cable

## Specifications

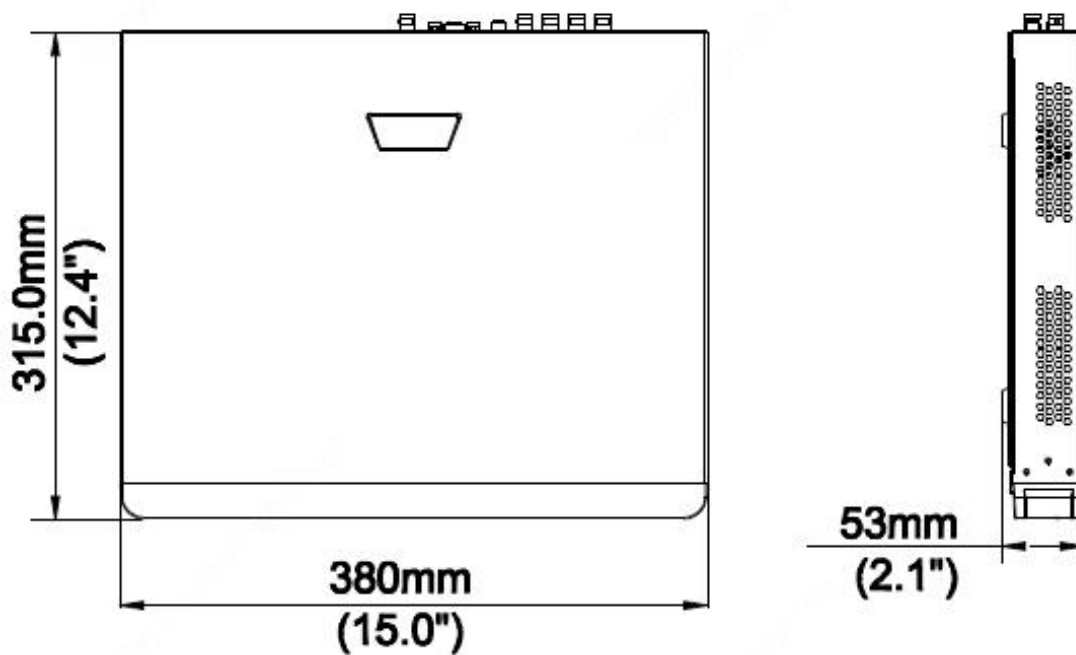
Model	XVR302-08Q	XVR302-16Q
Video/Audio Input		
Analog Video Input	8-ch, BNC	16-ch, BNC
IP Video Input	4-ch(only IP up to 12ch), each channel up to 4K	8-ch(only IP up to 24ch), each channel up to 4K
Supported Analog Camera Types	<b>Support AHD input:</b> 8MP@15fps(channel1-channel2) 5MP@20fps 4MP@30fps 3MP@30fps(channel1-channel2) 1080P@30fps 720P@60fps <b>Support TVI input:</b> 8MP@15fps(channel1-channel2) 5MP@20fps 4MP@30fps 3MP@20fps(channel1-channel2) 1080P@30fps 720P@60fps <b>Support CVI input:</b>	<b>Support AHD input:</b> 8MP@15fps(channel1-channel4) 5MP@20fps 4MP@30fps 3MP@30fps(channel1-channel4) 1080P@30fps 720P@60fps <b>Support TVI input:</b> 8MP@15fps(channel1-channel4) 5MP@20fps 4MP@30fps 3MP@20fps(channel1-channel4) 1080P@30fps 720P@60fps <b>Support CVI input:</b>

	8MP@15fps(channel1-channel2) 4MP@30fps 1080P@30fps 720P@60fps <b>Support CVBS input</b>	8MP@15fps(channel1-channel4) 4MP@30fps 1080P@30fps 720P@60fps <b>Support CVBS input</b>
Audio Input	1-ch, RCA	
Two-way Audio	1-ch, RCA	
<b>Network</b>		
Incoming Bandwidth	56Mbps	72Mbps
Outgoing Bandwidth	64Mbps	80Mbps
Remote Users	128	
Protocols	TCP/IP, P2P, UPnP, NTP, DHCP, PPPoE	
<b>Video/Audio Output</b>		
CVBS Output	1-ch, BNC	
VGA Output	1920x1080p/60Hz, 1920x1080p/50Hz, 1600x1200/60Hz, 1280x1024/60Hz, 1280x720/60Hz, 1024x768/60Hz	
HDMI Output	1920x1080p/60Hz, 1920x1080p/50Hz, 1600x1200/60Hz, 1280x1024/60Hz, 1280x720/60Hz, 1024x768/60Hz	
Audio Output	1-ch, RCA	
Synchronous Playback	8-ch	16-ch
<b>Encoding</b>		
Recording Resolution	8MP Lite/5MP Lite/4MP Lite /3MP/1080P/960P/720P/960H/4CIF/CIF	
Recording Frame Rate	<b>Main stream:</b> 8MP Lite@8fps(channel1-channel2) 5MP Lite@12fps 4MP Lite@15fps 3MP@15fps(channel1-channel2) 2MP@15fps 720P@30fps <b>Sub stream:</b> D1@30fps(Max)	<b>Main stream:</b> 8MP Lite@8fps(channel1-channel4) 5MP Lite@12fps 4MP Lite@15fps 3MP@15fps(channel1-channel4) 2MP@15fps 720P@30fps <b>Sub stream:</b> D1@30fps(Max)
<b>Hard Disk</b>		
SATA	2 SATA interfaces	
Capacity	up to 6TB for each HDD	
<b>External Interface</b>		
Network Interface	1 RJ45 10M/100M self-adaptive Ethernet Interface	1 RJ45 10M/100M/1000M self-adaptive Ethernet Interface
USB Interface	Rear panel: 1 x USB2.0, Front panel: 1xUSB2.0	Rear panel: 1 x USB3.0, Front panel: 1xUSB2.0
Serial Interface	1 x RS485	

## General

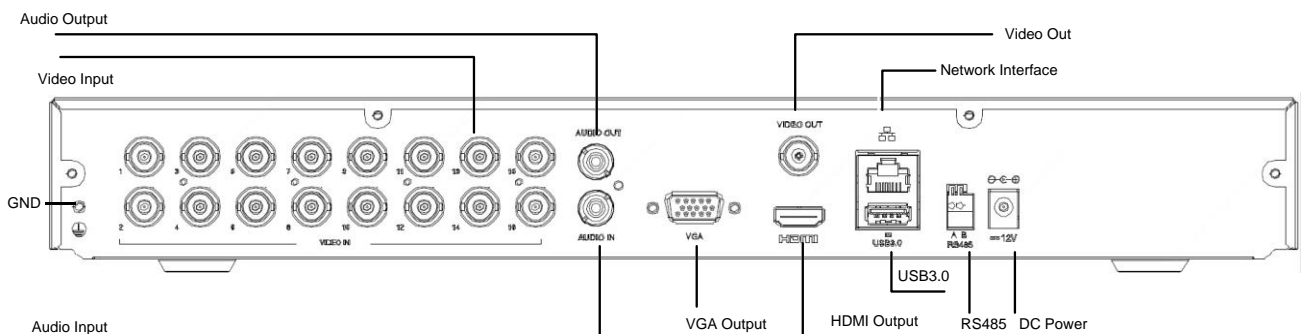
Power Supply	12V DC Power Consumption: ≤ 8 W( without HDD )	12V DC Power Consumption: ≤ 12 W( without HDD )
Working Environment	-10°C~+ 55°C (+14°F~+131°F), Humidity ≤ 90% RH (non-condensing)	
Dimensions(W×D×H)	380mm ×315mm× 53mm (15" × 12.4"×2.1")	
Weight ( without HDD )	≤1.9 Kg ( 4.19lb )	

## Dimensions



## Rear Panel

Take XVR302-16Q for example





**Zhejiang Uniview Technologies Co., Ltd.**

Building No.10, Wanlun Science Park, Jiangling Road 88, Binjiang District, Hangzhou, Zhejiang, China

Email: [overseasbusiness@uniview.com](mailto:overseasbusiness@uniview.com); [globalsupport@uniview.com](mailto:globalsupport@uniview.com)

<http://www.uniview.com>

©2020 Zhejiang Uniview Technologies Co., Ltd. All rights reserved.

\* Product specifications and availability are subject to change without notice.