

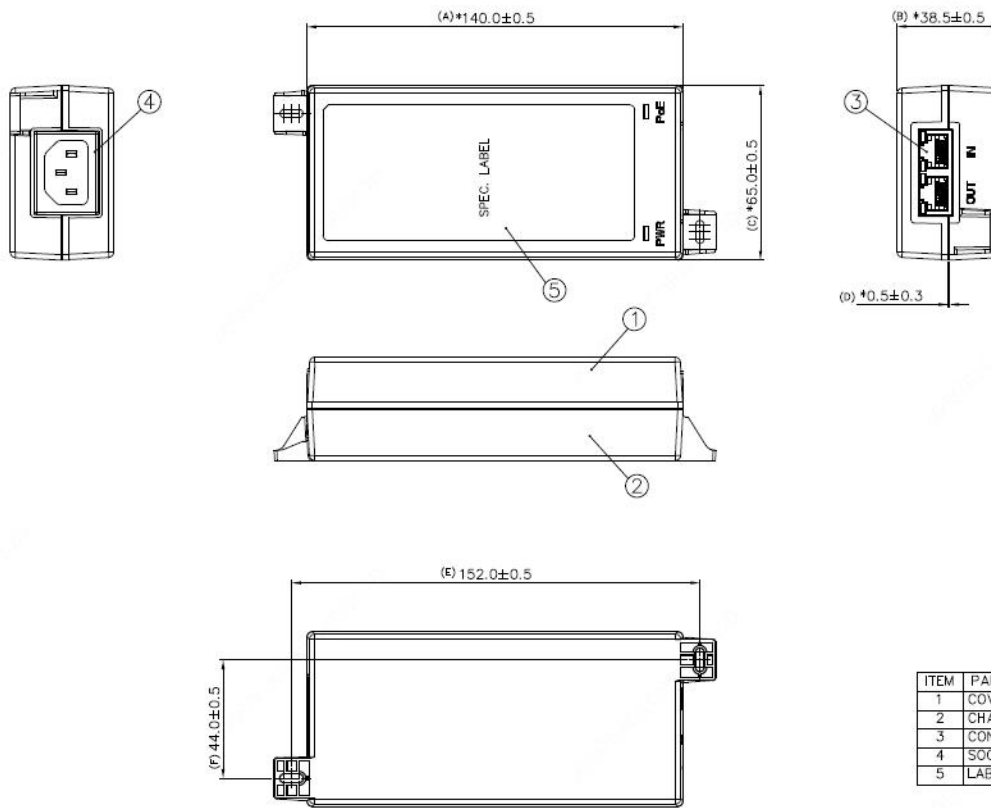
# PWR-DC5612-P@NB 65W PSE



## Specifications

|                          |   |
|--------------------------|---|
| PSE                      | PWR-DC5612-P@NB   |
| INPUT                    | AC 100-240V~ 50/60Hz 2AMax  |
| OUTPUT                   | DC 56V/1.16A  |
| Protection/Environmental |   |
| Protection               | Output over current protection: 2A<br>Short circuit protection (Yes)  |
|                          | Surge protection power input port meets EN 61000-4-5<br>L-N ±6KV<br>L,N-PE ±6KV<br>Pluses Per polarity: 5 each, Angel: random, Generator impedance: 2ohm, Criterion B |
| Enviromental             |   |
| Storage Temperature      | -25°C~65°C(-13°F~149°F)   |
| Operating Temperature    | -20°C~60°C(-4°F~140°F)  |
| Working humidity         | 5% to 90%, non-condensing.  |
| Physical Properties      |   |
| Weight                   | 275g(0.61lb)  |
| Dimension(LxWxH)         | 140mmx65mmx38mm(5.46"x2.54"x1.48")  |
| Installation mode        | Plane installation  |
| Color                    | Black   |
| Input plug               | 3-pin plug  |
| Power Out Pin            | Endspan 1.2(+),3.6(-)Midspan 4.5(+),7.8(-)  |
| Output plug              | RJ45  |
| Safety Standards         |   |
| Certification            | UL, CE, CCC, IEC/UL/EN 60950 and 62368.   |

# Dimensions



| ITEM | PART NAME       | COLOR   |
|------|-----------------|---------|
| 1    | COVER           | BLACK   |
| 2    | CHASSIS         | BLACK   |
| 3    | CONNECTOR(RJ45) | NATURAL |
| 4    | SOCKET          | BLACK   |
| 5    | LABEL           | BLACK   |

**Zhejiang Uniview Technologies Co.,Ltd.**

South Tower, Building 10, Wanlun Science Park, 88 Jiangling Road, Hangzhou, P.R.China 310051

Email: overseasbusiness@uniview.com;globalsupport@uniview.com

http://www.uniview.com

©2020 Zhejiang Uniview Technologies Co.,Ltd. All rights reserved.

\*Product specifications and availability are subject to change without notice.