

2MP HD IR Fixed Dome Network Camera

IPC322LB-DSF28(40)K-G



Key Features



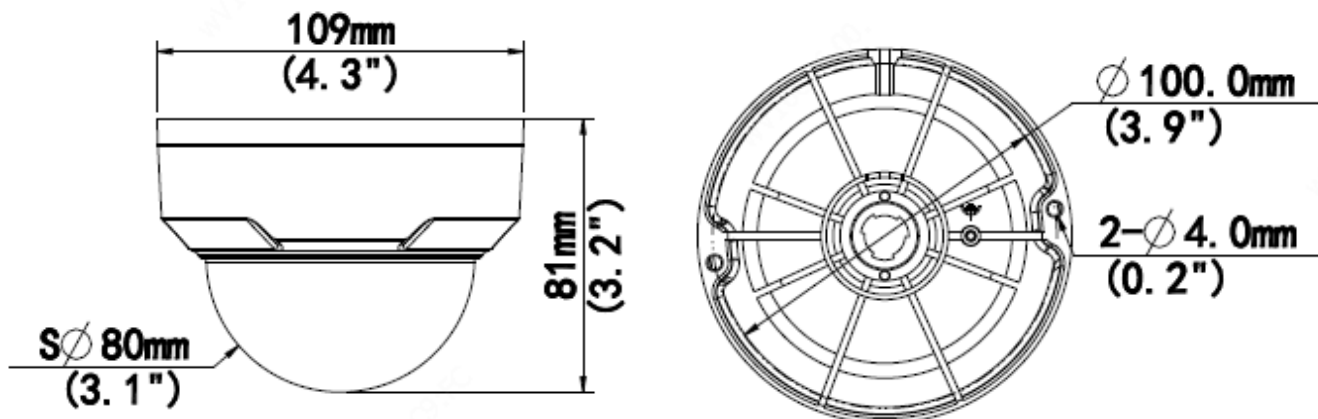
- High quality image with 2MP, 1/2.7"CMOS sensor
- 2MP (1920*1080)@30/25fps; 720P (1280*720)@30/25fps
- Ultra 265, H.265, H.264, MJPEG
- 120dB true WDR technology enables clear image in strong light scene
- Support 9:16 Corridor Mode
- Smart IR, up to 30m (98ft) IR distance
- Supports 128 G Micro SD card
- IK10 vandal resistant
- IP67 protection
- Support PoE power supply
- 3-Axis

Specifications

| | IPC322LB-DSF28K-G | IPC322LB-DSF40K-G | | | |
|-------------------------|---|-------------------|----------------|---------------|-------------------|
| Camera | | | | | |
| Sensor | 1/2.7", 2.0 megapixel, progressive scan, CMOS | | | | |
| Lens | 2.8mm@F2.0 | | 4.0mm@F2.0 | | |
| DORI Distance | Lens (mm) | Detect (m) | Observe (m) | Recognize (m) | Identify (m) |
| | 2.8 | 42 | 16.8 | 8.4 | 4.2 |
| | 4.0 | 60 | 24 | 12 | 6 |
| Angle of View (H) | 112.9° | | 91.2° | | |
| Angle of View (V) | 59.1° | | 47.9° | | |
| Angle of View (O) | 121.2° | | 95.9° | | |
| Adjustment angle | Pan: 3° ~ 360° | | Tilt: 0° ~ 68° | | Rotate: 3° ~ 360° |
| Shutter | Auto/Manual, 1 ~ 1/100000s | | | | |
| Minimum Illumination | Colour: 0.01Lux (F2.0, AGC ON) 0Lux with IR | | | | |
| Day/Night | IR-cut filter with auto switch (ICR) | | | | |
| Digital noise reduction | 2D/3D DNR | | | | |
| S/N | >52dB | | | | |
| IR Range | Up to 30m (98ft) IR range | | | | |
| Wavelength | 850nm | | | | |
| IR On/Off Control | Auto/Manual | | | | |
| Defog | Digital Defog | | | | |
| WDR | 120dB | | | | |
| Video | | | | | |
| Video Compression | Ultra 265, H.265, H.264, MJPEG | | | | |
| H.264 code profile | Baseline profile, Main profile, High profile | | | | |
| Frame Rate | Main Stream: 1080P (1920*1080), Max 30fps; 720P (1280*720), Max 30fps Sub Stream: 720P (1280*720), Max 30fps; D1 (720*576), Max 30fps; 640*360, Max 30fps; 2CIF(704*288), Max 30fps; CIF(352*288), Max 30fps; | | | | |
| Video Bit Rate | 128 Kbps~6144 kbps | | | | |
| 9:16 Corridor Mode | Supported | | | | |
| OSD | Up to 4 OSDs | | | | |
| Privacy Mask | Up to 4 areas | | | | |
| ROI | Up to 8 areas | | | | |
| Motion Detection | Up to 4 areas | | | | |
| Image | | | | | |
| White Balance | Auto/Outdoor/Fine Tune/Sodium Lamp/Locked/Auto2 | | | | |
| Digital noise reduction | 2D/3D DNR | | | | |
| Smart IR | Supported | | | | |
| Flip | Normal/Vertical/Horizontal/180°/90°Clockwise/90°Anti-clockwise | | | | |
| Dewarping | N/A | | | | |
| HLC | Supported | | | | |

| | |
|------------------------|--|
| BLC | Supported |
| Smart | |
| Behavior Detection | Cross line, intrusion(based on human body detection) |
| | motion detection, tampering alarm |
| General Function | Watermark, IP address filtering, access policy, ARP protection, RTSP authentication, user authentication |
| Network | |
| Protocols | IPv4, IGMP, ICMP, ARP, TCP, UDP, DHCP, RTP, RTSP, RTCP, RTMP, DNS, DDNS, NTP, FTP, UPnP, HTTP, HTTPS, SMTP, QoS, SSL, SNMP |
| Compatible Integration | ONVIF (Profile S, Profile G, Profile T), API |
| Client | EZStation |
| | EZView |
| | EZLive |
| Web Browser | Plug-in required live view: IE9+, Chrome 41 and below, Firefox 52 and below |
| | Plug-in free live view: Chrome 57.0+, Firefox 58.0+, Edge 16+, Safari 11+ |
| Storage | |
| Edge Storage | Micro SD, up to 128GB |
| Network Storage | ANR,NAS(NFS) |
| Interface | |
| Network | 10/100M Base-TX Ethernet |
| Certifications | |
| Certifications | CE: EN 60950-1 UL: UL60950-1 FCC: FCC Part 15 |
| General | |
| Power | DC 12V±25%, PoE (IEEE 802.3af) |
| | Power consumption: Max 5.0W |
| Dimensions (Ø x H) | Ø109 x 81mm (Ø4.3" x 3.2") |
| Weight | 0.36kg (0.79lb) |
| Material | Metal + plastic |
| Working Environment | -30°C ~ 60°C (-22°F ~ 140°F), Humidity: ≤95% RH (non-condensing) |
| Storage Environment | -30°C ~ 60°C (-22°F ~ 140°F), Humidity: ≤95% RH (non-condensing) |
| Surge Protection | 4KV |
| Ingress Protection | IP67 |
| Vandal Resistant | IK10 |
| Reset Button | N/A |

Dimensions

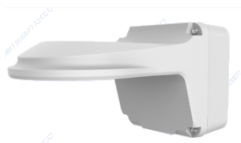


Accessories

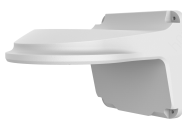
TR-JB03-G-IN



TR-JB07/WM03-G-IN



TR-WM03-D-IN



TR-UM06-E-IN



TR-UP06-IN



TR-A01-IN



TR-SE24-IN

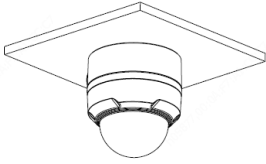
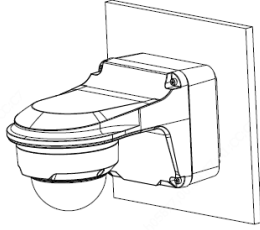
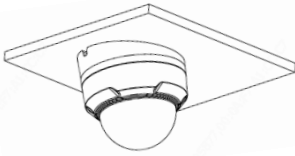
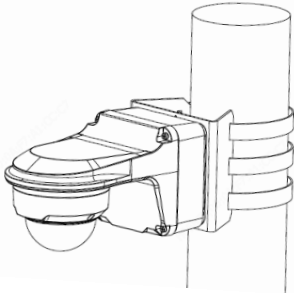
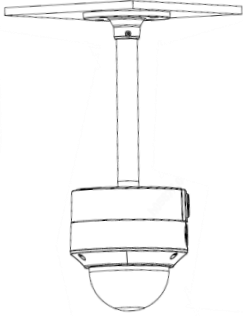


TR-SE24-A-IN



TR-CM24-IN



| Junction Mount | Pole Mount |
|---|---|
| TR-JB03-G-IN | TR-JB07/WM03-G-IN |
|  |  |
| TR-UM06-E-IN | TR-JB07/WM03-G-IN+TR-UP06-IN |
|  |  |
| TR-CM24-IN+TR-JB03-G-IN | |
|  | |

Zhejiang Uniview Technologies Co., Ltd.

Building No.10, Wanlun Science Park, Jiangling Road 88, Binjiang District, Hangzhou, Zhejiang, China (310051)

 Email: overseasbusiness@uniview.com; globalsupport@uniview.com
<http://www.uniview.com>

©2020 Zhejiang Uniview Technologies Co., Ltd. All rights reserved.

*Product specifications and availability are subject to change without notice.