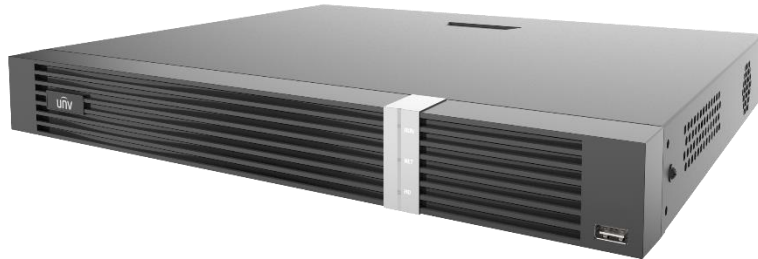


Network Video Recorder

NVR302-E2-P-IQ Series



Key Features

- Support Ultra H.265/H.265/H.264 video formats
- 8/16-channel input
- Plug & Play with 8/16 independent PoE network interfaces
- Supports mainstream cameras of ONVIF conformance(Profile S, Profile G, Profile T) and RTSP protocols
- Support 1-ch HDMI, 1-ch VGA. HDMI up to 4K (3840x2160) resolution
- HDMI and VGA independent outputs provided
- Up to 12 Megapixels resolution recording
- 2 SATA HDDs, Up to 10TB for each HDD
- Various fisheye dewarping modes for live view and playback for both web interface and GUI
- ANR technology to enhance the storage reliability when the network is disconnected
- Support cloud upgrade

Specifications

Model	NVR302-08E2-P8-IQ	NVR302-16E2-P16-IQ
Video/Audio Input		
IP Video Input	8-ch	16-ch
Two-way Audio Input	1-ch, RCA	
Network		
Incoming Bandwidth	AI Off: 320Mbps AI On: 160Mbps	
Outgoing Bandwidth	AI Off: 320Mbps AI On: 160Mbps	
Remote Users	128	
Protocols	TCP/IP, P2P, UPnP, NTP, DHCP, PPPoE, HTTP, HTTPS, DNS, DDNS, SNMP, SMTP, NFS	
Browser	IE(IE10/11) for Windows Firefox (version 52.0 and above) for Windows Chrome(version 45 and above) for Windows Edge(version 79 and above) for Windows	
Video/Audio Output		
HDMI/VGA Output	VGA: 1920x1080p/60Hz, 1920x1080p/50Hz, 1600x1200/60Hz, 1280x1024/60Hz, 1280x720/60Hz, 1024x768/60Hz HDMI: 4K (3840x2160)/30Hz, 1920x1080p/60Hz, 1920x1080p/50Hz, 1280x1024/60Hz, 1280x720/60Hz, 1024x768/60Hz	
Recording Resolution	12MP/8MP/6MP/5MP/4MP/3MP/1080p/960p/720p/D1/2CIF/CIF	
Audio Output	1-ch, RCA	
Audio Compression	G.711A, G.711U	
Synchronous Playback	8-ch	16-ch
Live View Display	1/4/6/8/9	1/4/6/8/9/16
Corridor Mode Screen	3/4/5/7/9	3/4/5/7/9/10/12/16
Snapshot		
FTP/Schedule/Event Snapshot	16-ch snapshot, up to 1080P resolution	
Decoding		
Decoding Format	Ultra 265, H.265, H.264	
Live View/Playback	12MP/8MP/6MP/5MP/4MP/3MP/1080p/960p/720p/D1/2CIF/CIF	
Capability	AI Off: 1 x 12MP@30, 2 x 4K@30, 5 x 4MP@30, 10 x 1080P@30, 22 x 720P@30, 32 x D1 AI On: 1 x 12MP@30, 2 x 4K@30, 4 x 4MP@30, 8 x 1080P@30, 18 x 720P@30, 32 x D1	
Hard Disk		
SATA	2 SATA interfaces	
Capacity	Up to 10TB for each disk	
eSATA	NA	
Disk Group	Support	

Smart

VCA Detection by Camera	Intrusion Detection, Cross Line Detection, Enter Area, Leave Area, Defocus Detection, Scene Change Detection, Object Left Behind, Object Removed, Auto Tracking, Ultra Motion Detection(UMD)
NVR Smart	Smart Intrusion Prevention (SIP), UMD
VCA Search	Behavior Search, Vehicle Search
People Counting	People Flow Counting, Crowd Density Monitoring
SIP by NVR with normal cameras	4-ch
UMD by NVR	8-ch
SIP, Vehicle Detection, UMD by Camera	Total 8-ch

General Alarm

General Alarm	Motion, Tampering, Human Body Detection, Video Loss, Input Alarm, Audio Detection
Alert Alarm	IP Conflict, Network Disconnected, Disk Offline , Disk Abnormal, Illegal Access, Hard Disk Space Low, Hard Disk Full, Recording/Snapshot Abnormal

External Interface

Network Interface	1 RJ45 10M/100M/1000M self-adaptive Ethernet Interfaces
USB Interface	Front panel: 1 x USB2.0,Rear panel: 1 x USB3.0
RS232	NA
RS485	1
Alarm In	8-ch
Alarm Out	2-ch

PoE

Interface	8 RJ-45 10M/100M self-adaptive Ethernet Interface	16 RJ-45 10M/100M self-adaptive Ethernet Interface
Max Power	Max 30W for single port Max 130W in total	Max 30W for single port Max 240W in total
Supported Standard	IEEE 802.3af/at	

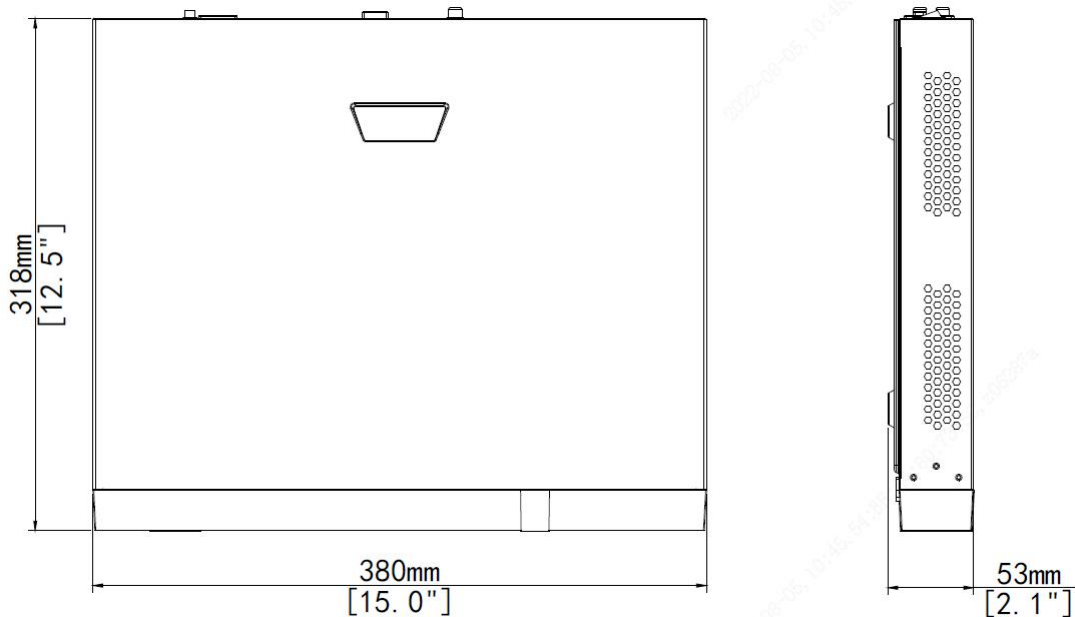
General

Power Supply	52V DC/2.5A Power Consumption: ≤ 15W (without HDD)	52V DC/4.6A Power Consumption: ≤ 20W (without HDD)
Working Environment	-10°C~+ 55°C (+14°F~+131°F), Humidity ≤ 90% RH (non-condensing)	
Dimensions (W×D×H)	380mm × 318mm × 53mm (15.0" × 12.5" × 2.1")	
Weight (without HDD)	≤1.8Kg (3.97lb)	

Certification

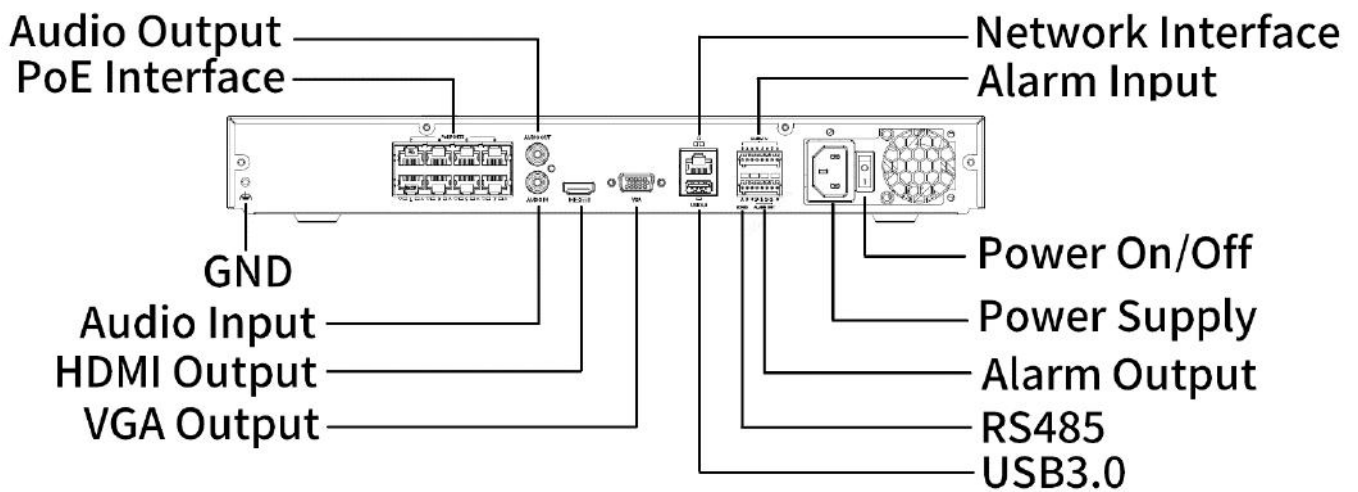
Certification	CE, FCC, UL, RoHS, WEEE
CE	EN 55032: 2015, EN 61000-3-3: 2013, EN IEC 61000-3-2: 2019, EN 55035: 2017
FCC	Part15 Subpart B, ANSI C63.4

Dimensions



Rear Panel

Take NVR302-08E2-P8-IQ for example.



Zhejiang Uniview Technologies Co., Ltd.

Building No.10, Wanlun Science Park, Jiangling Road 88, Binjiang District, Hangzhou, Zhejiang, China

Email: overseasbusiness@uniview.com; globalsupport@uniview.com

<http://www.uniview.com>

©2022 Zhejiang Uniview Technologies Co., Ltd. All rights reserved.

* Product specifications and availability are subject to change without notice.