

MOUNTING ACCESSORIES

for VELMAG™ surface electromagnetic locks EF300

- Improves aesthetics of installation
- Customizable in all RAL colors
- Fitting on pulling or pushing door
- Aluminium end caps (EF300C/AEC)



EF300C

CHARACTERISTICS

Dimensions	EF300C	128,5 x 266 x 89 mm
H x W x D	EF300C/AEC	128,5 x 3 x 89 mm

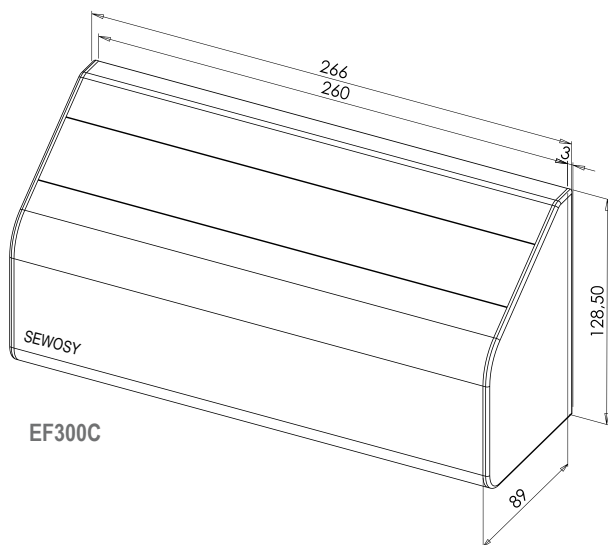


EF300C/AEC

EF300C	Aluminium cover for EF300L + EF300/550Z - with plastic end caps natural anodizing	0,7 kg
EF300C/AEC	Aluminium end caps for EF300C natural anodizing	0,15 kg
POWDER COATING	On request (*)	

Customs code
83014019

(*) (all RAL colours available)



EF300C

