

MOUNTING ACCESSORIES

for VELMAG™ surface electromagnetic locks EF550

- Aluminium type 6061/T6
- Without fixings traversing door
- U brackets in common with EF300 and EF550 series



EF550SCP



EF300_550UZAP



EF300_550UL

CHARACTERISTICS

Dimensions	EF550SCP	68 x 192 x 19 mm
H x W x D	EF300_550UZAP	64,75 x 185 x 29,5 mm
	EF300_550UL	64,75 x 266 x 29,5 mm

EF550SCP

Mounting set for armature plate EF550 range

0,3 kg

EF300_550UZAP

U-Mounting sleeve for glass doors in combination with EF300_550Z

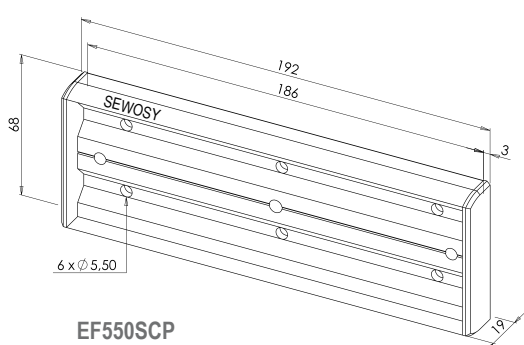
0,52 kg

EF300_550UL

U-Mounting sleeve for glass doors in combination with EF300_550L

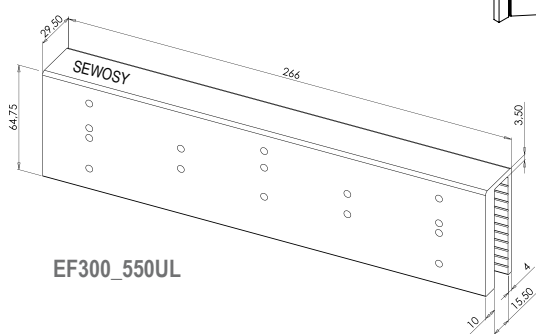
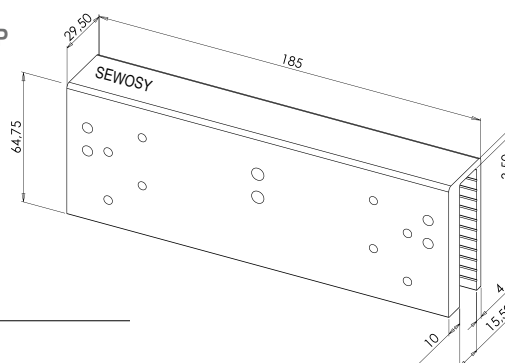
0,74 kg

Customs code
83014019



EF550SCP

EF300_550UZAP



EF300_550UL

