



# VELMAG™ SURFACE EM LOCKS stainless steel body

530 DaN

- Suitable for outdoor mounting IP67
- Electromagnetic lock body made of stainless steel
- Locked / unlocked status sensor by REED contact (CTC model)
- Standard and front mounting (comes with 2 mounting plates)
- Anti-remanence device by ejector



EXT750CTC

## CHARACTERISTICS

Dimensions H x W x D	Electromagnet Armature plate	62 x 222 x 42 mm 61 x 185 x 16,5 mm
V DC	12-24V DC	ImA DC
		500-250 mA
°C	-10°C +55°C	IP
		67
V/A	24V DC-1 A	DaN
		530*

\* Maximal theoretical holding forces, for an implementation meeting the optimum laying conditions

TÜV N° P-3487/09

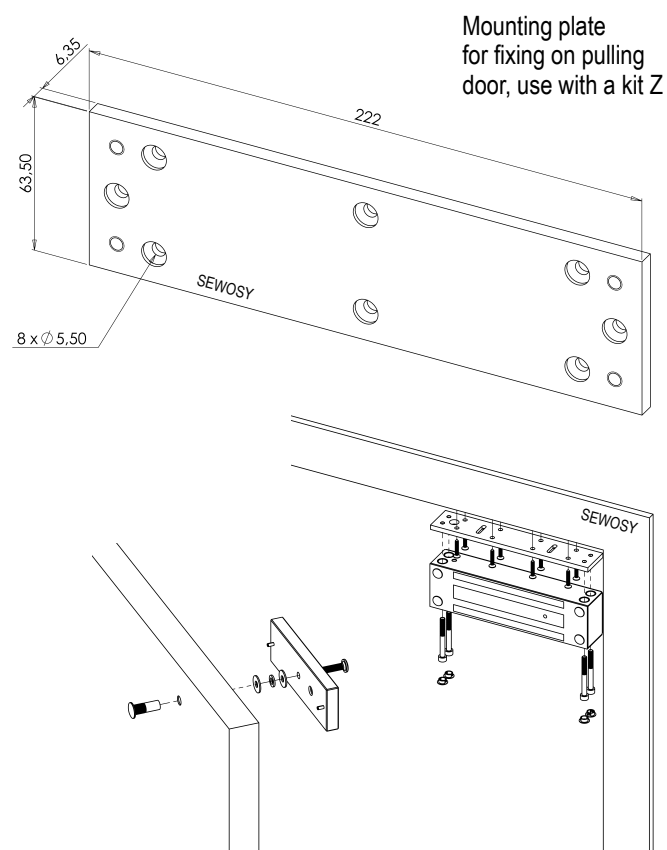
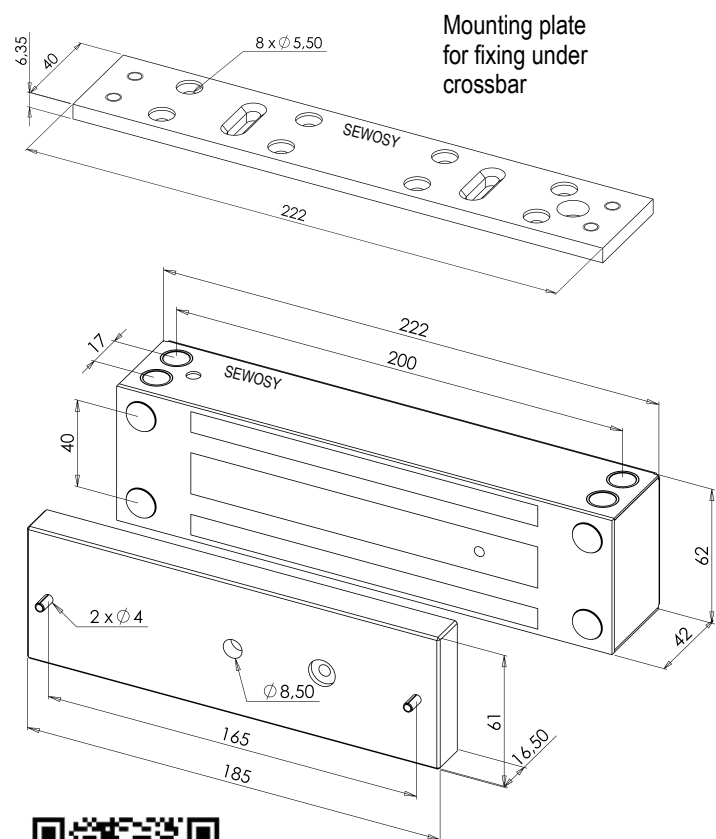
**Caution:**  
Fitting recommended inside locked areas

EXT750CTC

Surface electromagnetic lock stainless steel 530 DaN 12-24V DC outdoor use + contact

5,2 kg

Customs code  
83014019



VELMAG™ SURFACE EM LOCKS stainless steel body 530 SERIES